

3D MOTION COMPENSATED CRANE BM-T40



TECHNOLOGY

The Barge Master Motion Compensated Crane (BM-T40) enables controlled lifting operations, making it possible to work at sea almost year-round. It has proven to increase workability in the North Sea from 180 to 330 days.

The BM-T40 can be integrated into a new vessel or retrofitted to an existing vessel. The system has a small footprint allowing any vessel to easily accommodate the motion compensated crane.

GENERAL

Crane capacity	15 mT at 10 m 5 mT at 20 m
Crane lifting height (from deck)	35 m

COMPENSATION

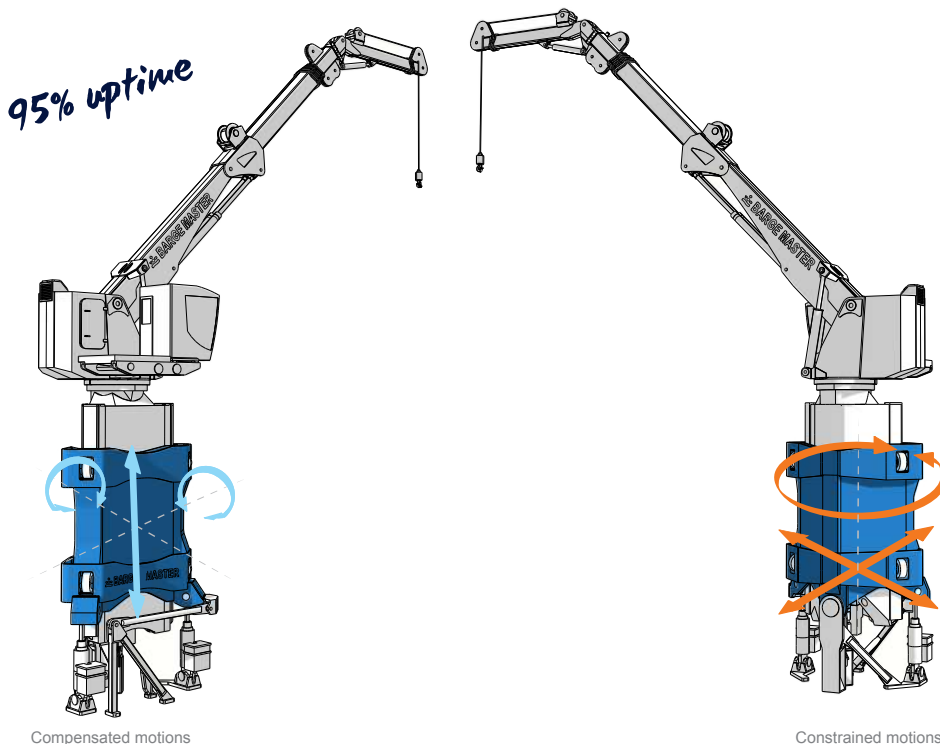
Wave height	H_s 0 - 3 m
Wave period	4 - 18 s
Heave, roll and pitch motions	95%
Onboard lifting functionality	
EN13852-1 manriding certified	

DIMENSIONS

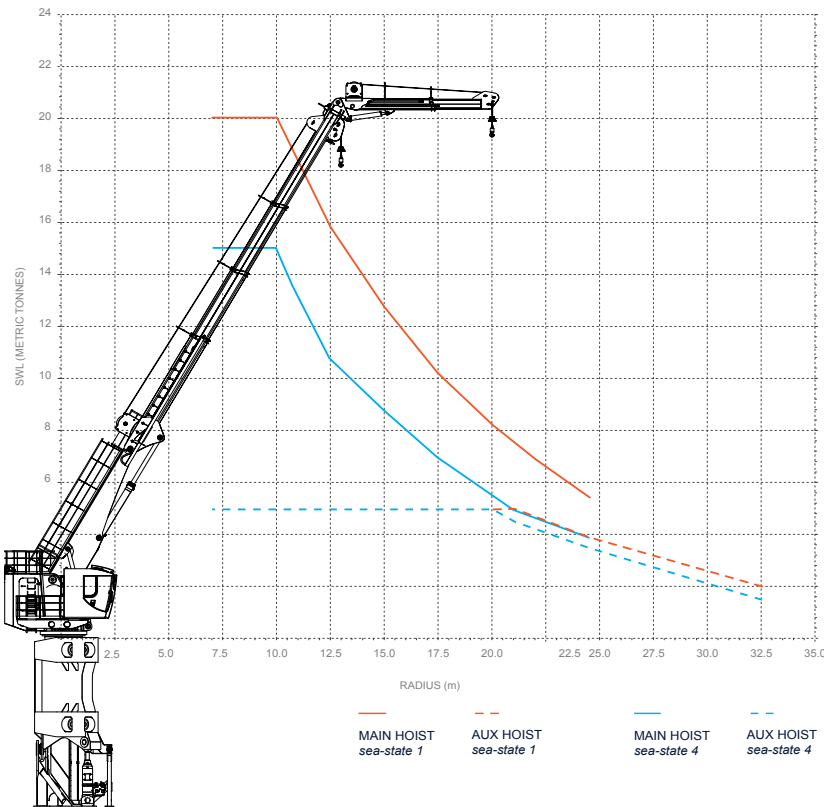
Foundation footprint	4.8 m x 3.7 m
Platform height (retracted)	8.3 m

WEIGHT

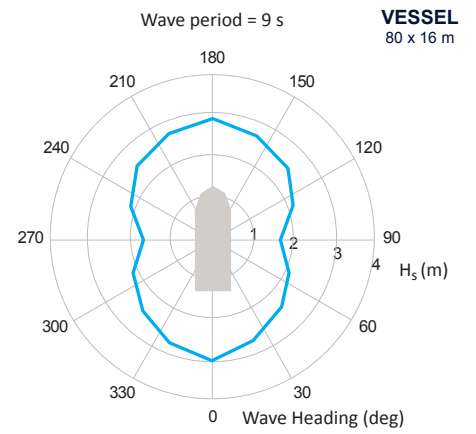
Barge Master	85 mT
HPU	34 mT
Crane (typical weight)	39 mT



LIFTING LOAD CHART



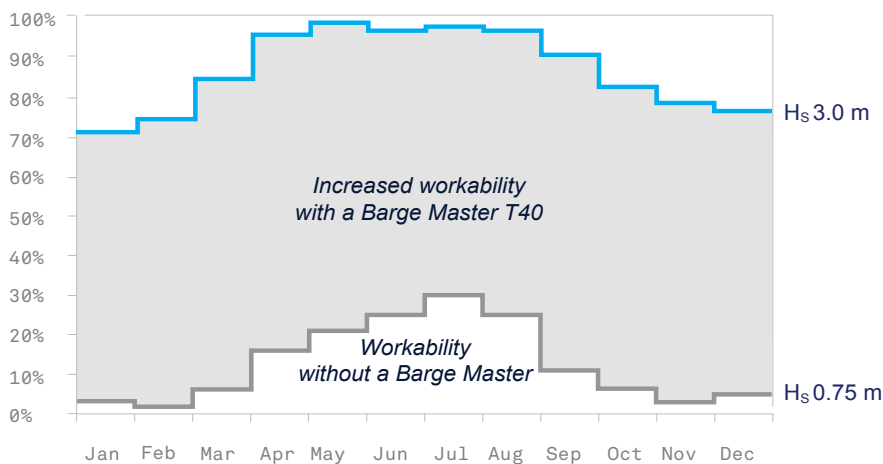
OPERATIONAL ENVELOPE



The Barge Master Crane is designed for maintenance support vessels and platform supply vessels. It ensures safe lifting operations for all headings in higher sea states. The motion is compensated at the basis of the crane, ensuring a steady operator cabin as well as a steady load. The crane is manriding certified for safe personnel transfer.



INCREASED WORKABILITY



Typical workability increase for lifting operations with a Barge Master T40

CERTIFICATION



Barge Master B.V. ♦ The Netherlands

+31 (0)10 409 00 60 ♦ info@barge-master.com ♦ www.barge-master.com

